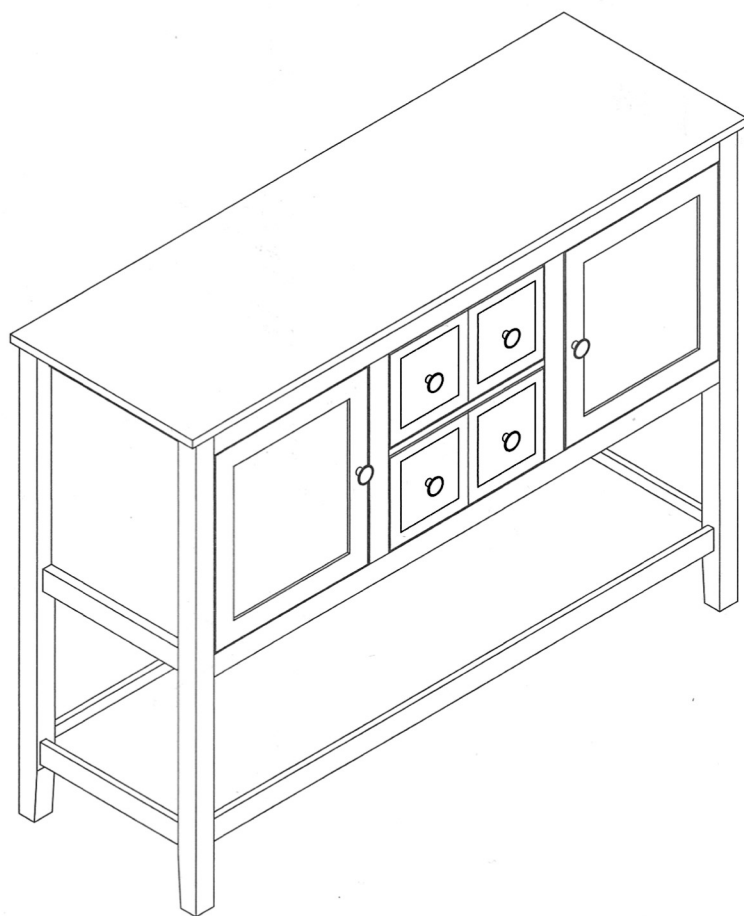
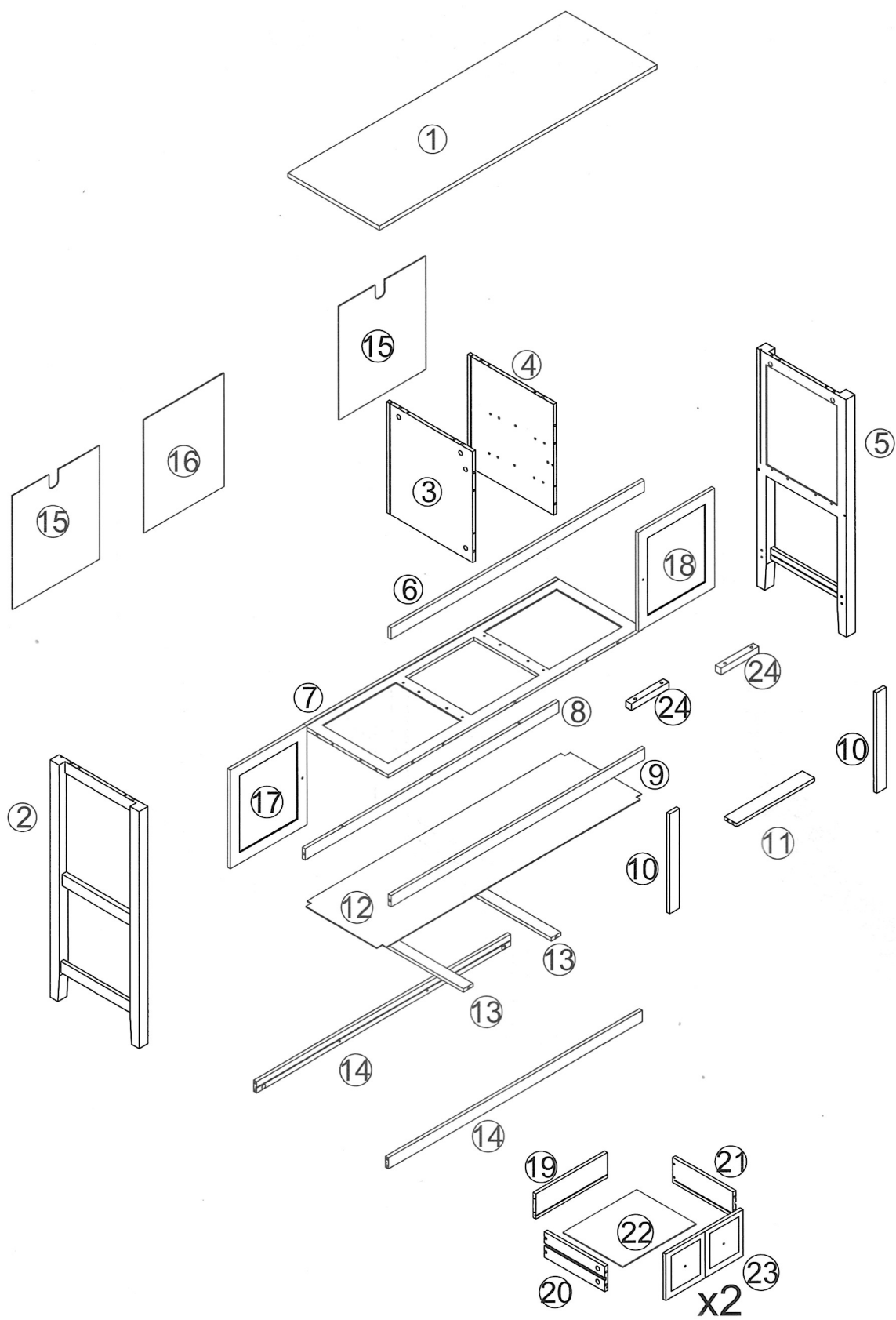
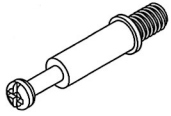


# WF284998







Ax41



Bx41



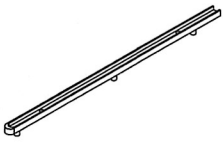
Cx30



4\*40  
Dx8



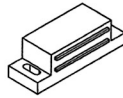
3\*12  
Ex26



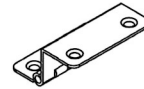
Fx4



3\*14  
Gx20



Hx2



Ix4



Jx2



4\*14  
Kx6



Lx6



Mx16



Nx4



4\*12  
Ox2



Px2



Qx2



4\*35  
Rx2



4\*30  
Sx8

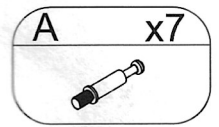
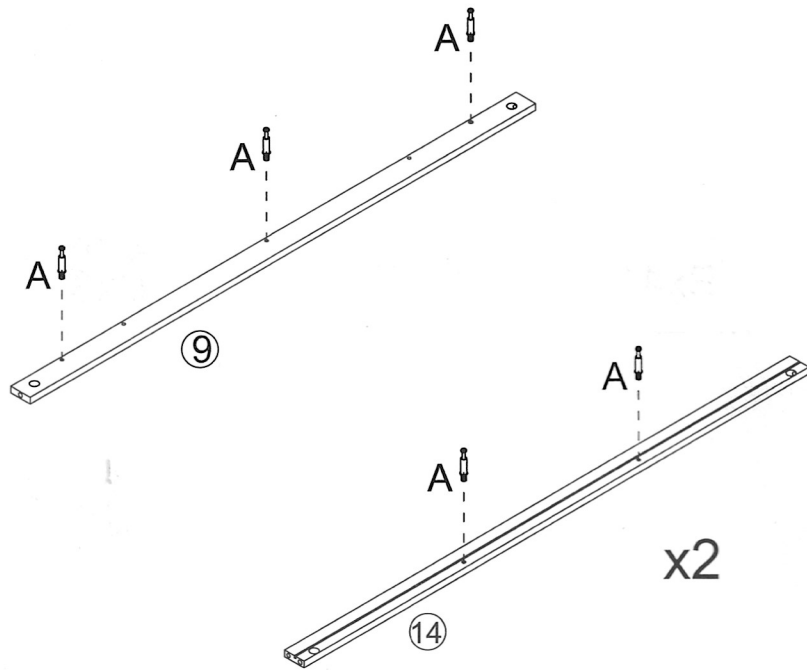


4\*25  
Tx4

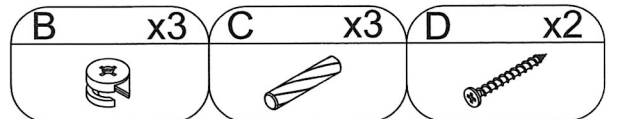
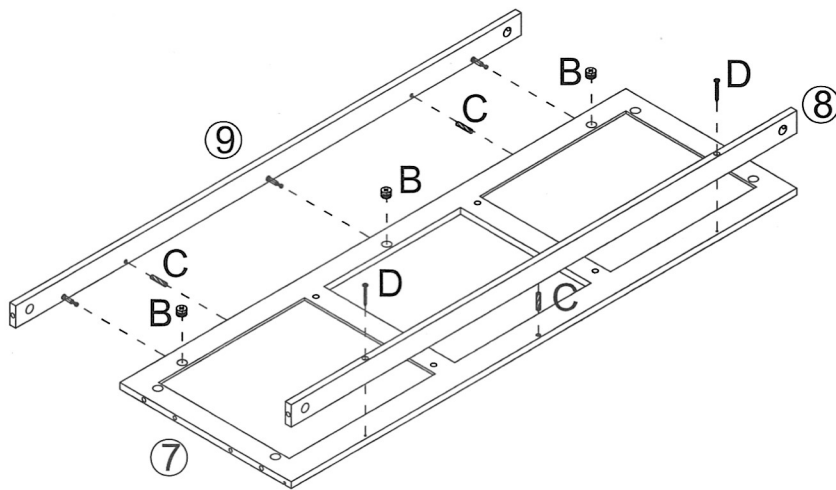


Ux4

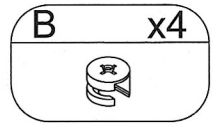
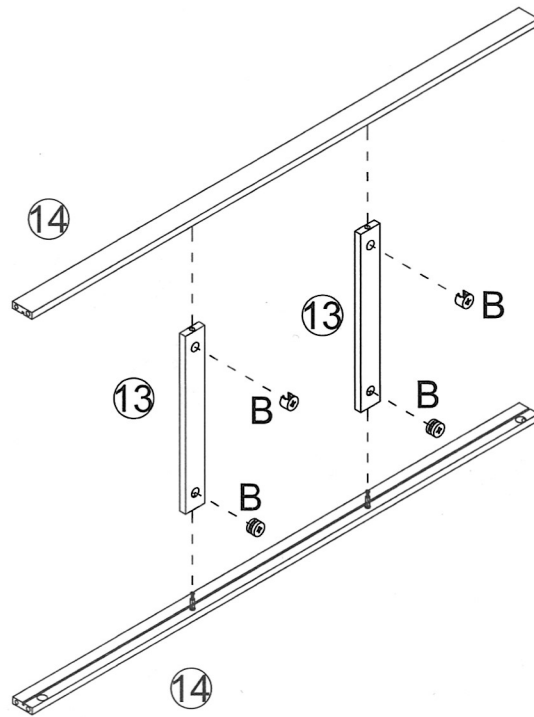
# Step 1



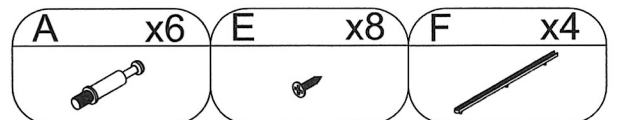
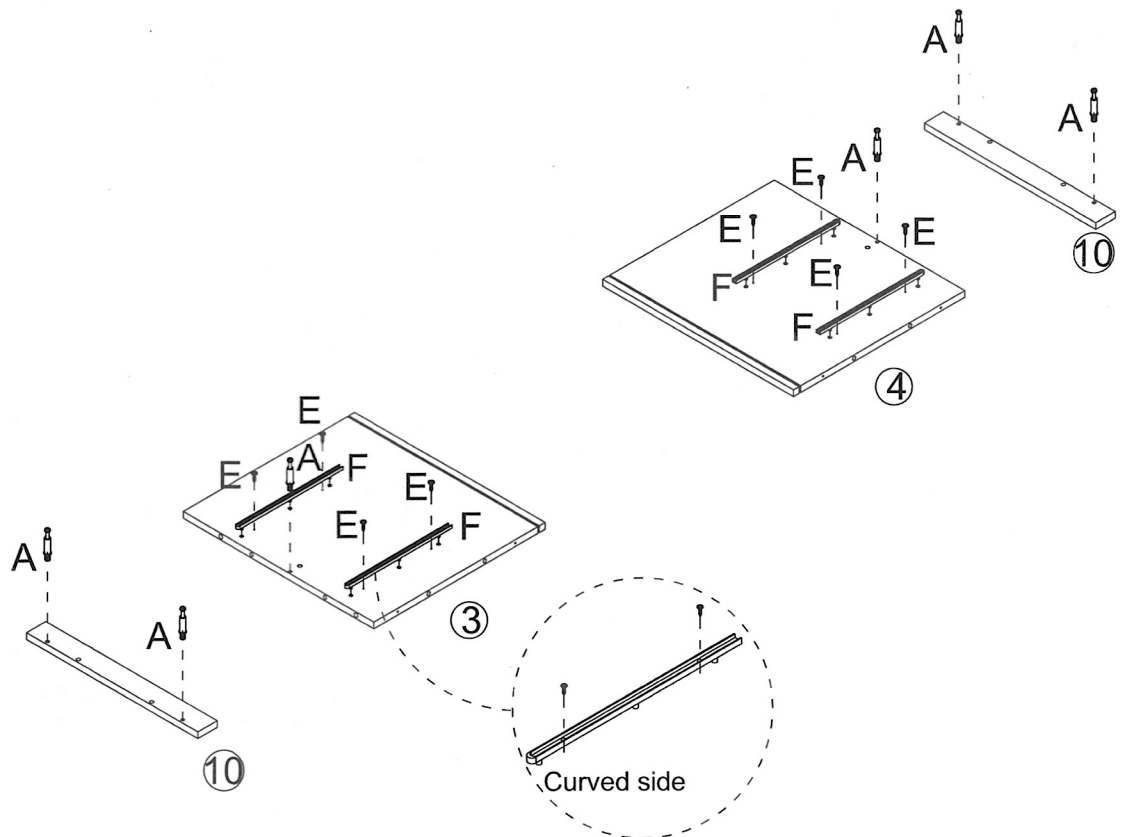
# Step 2



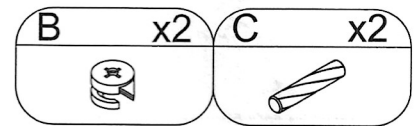
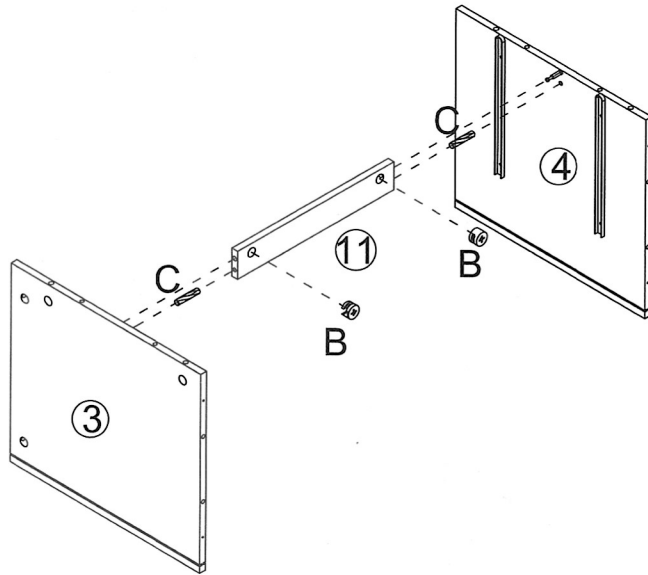
### Step 3



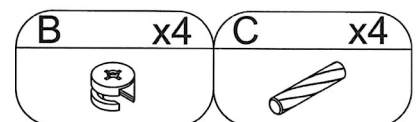
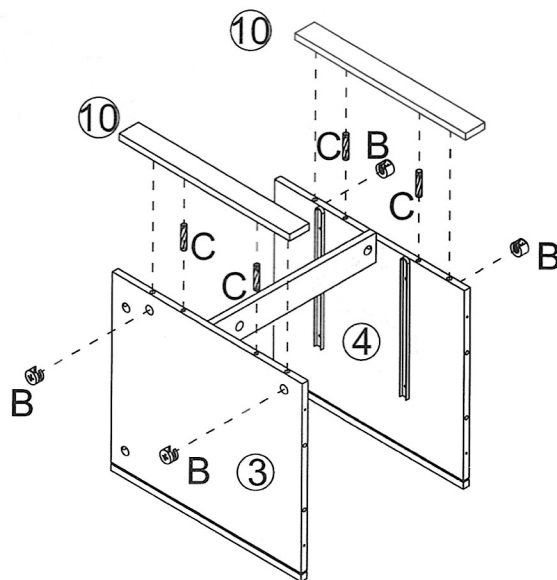
### Step 4



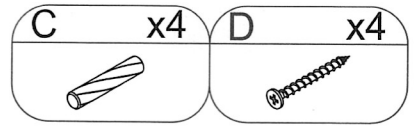
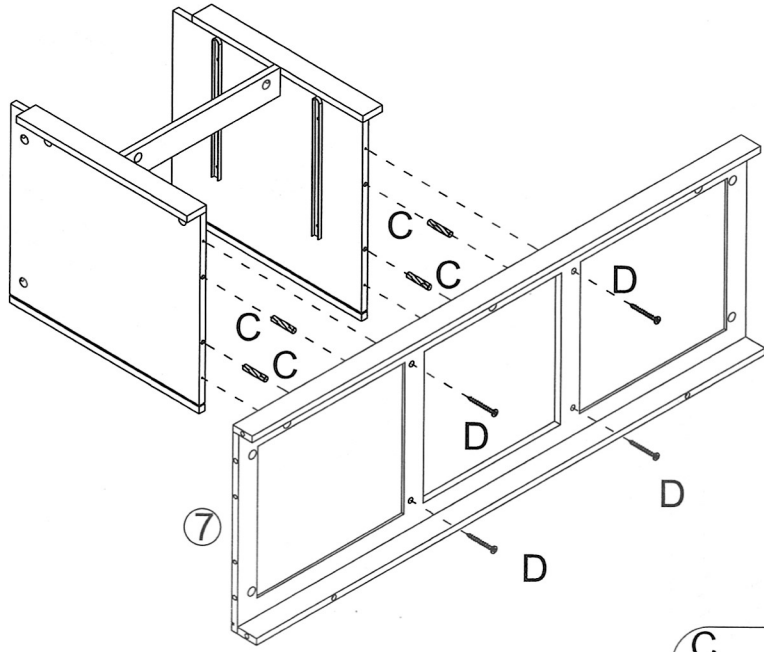
## Step 5



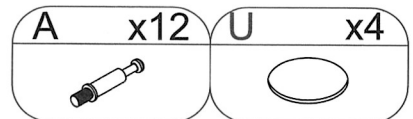
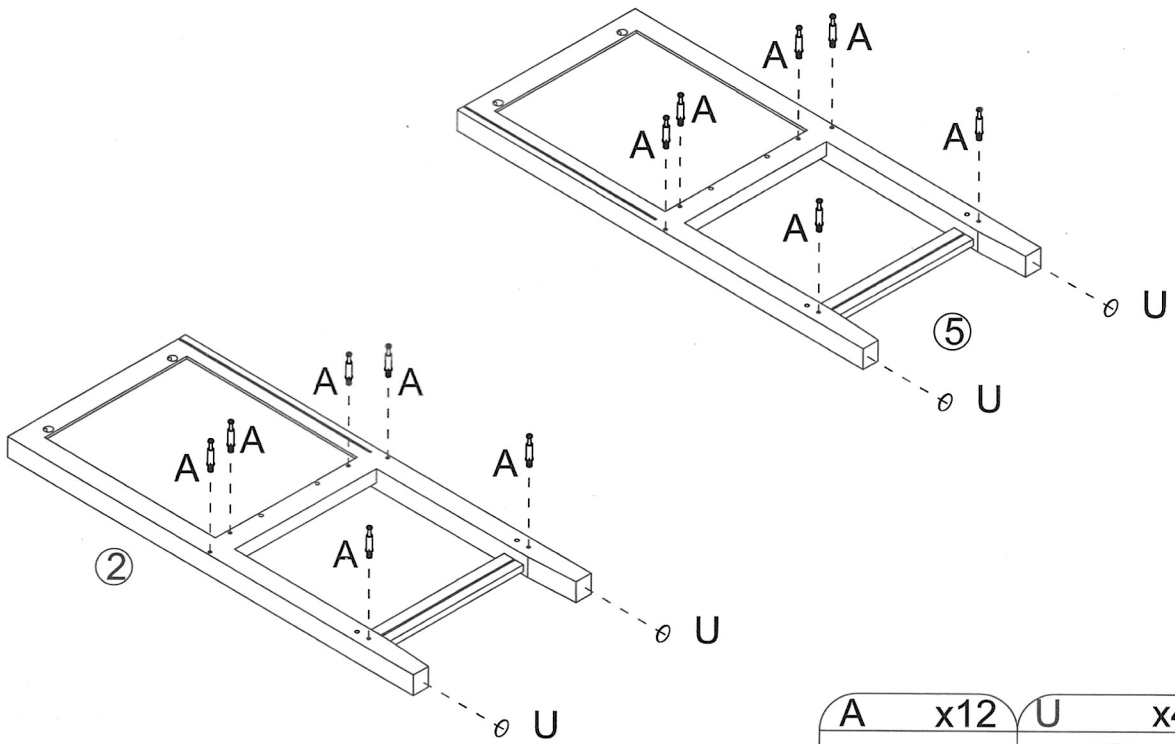
## Step 6



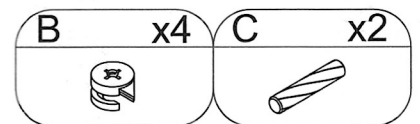
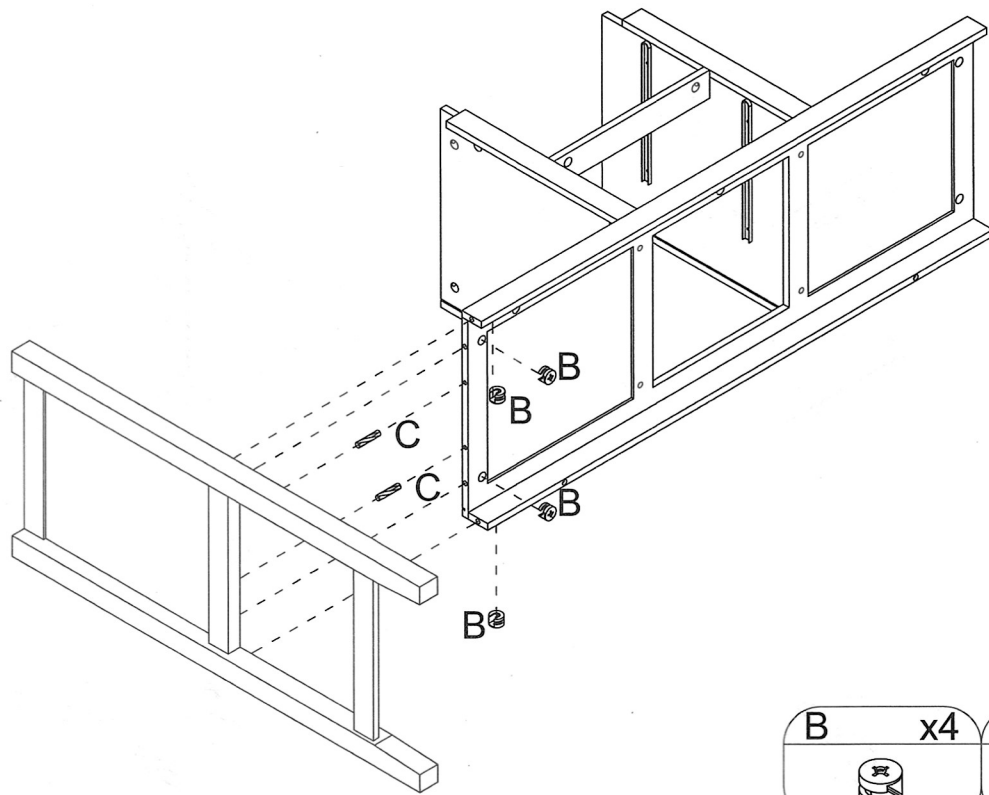
# Step 7



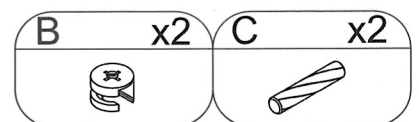
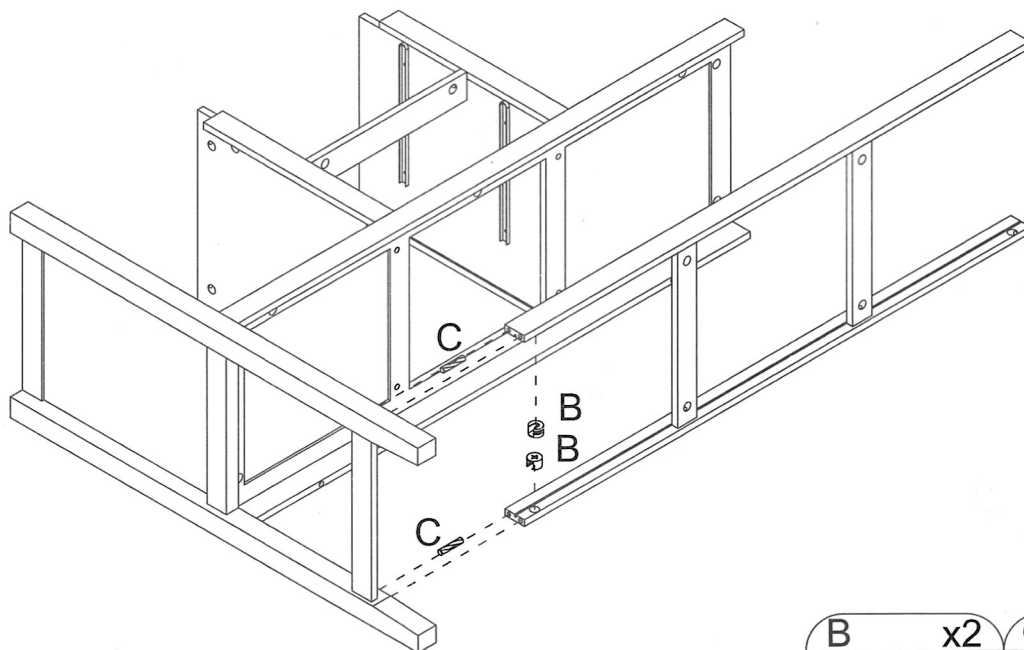
# Step 8



## Step 9

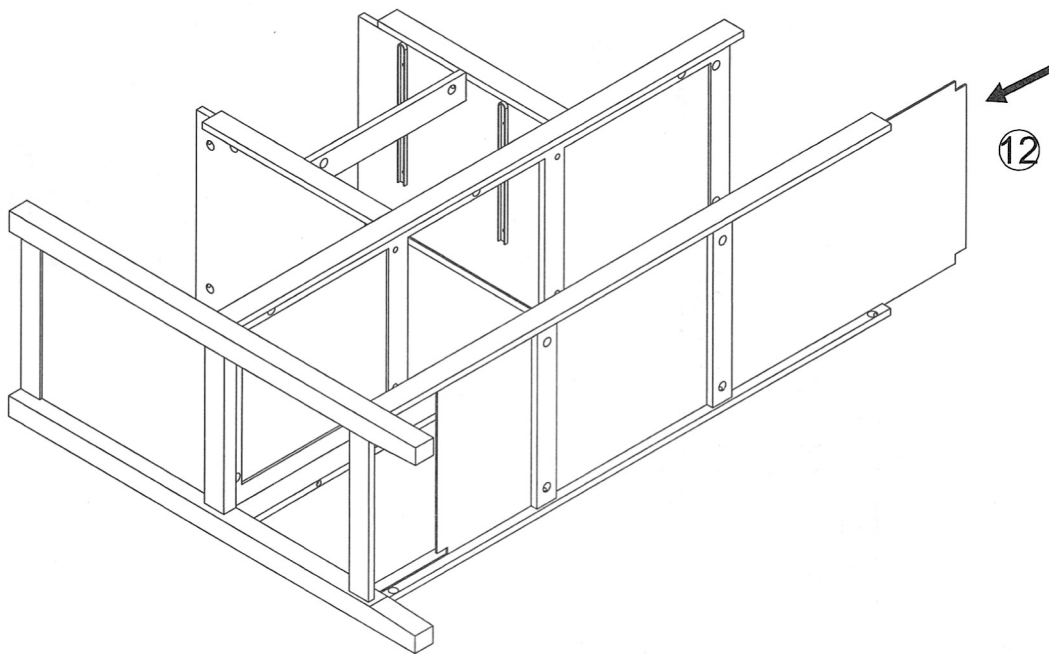


## Step 10

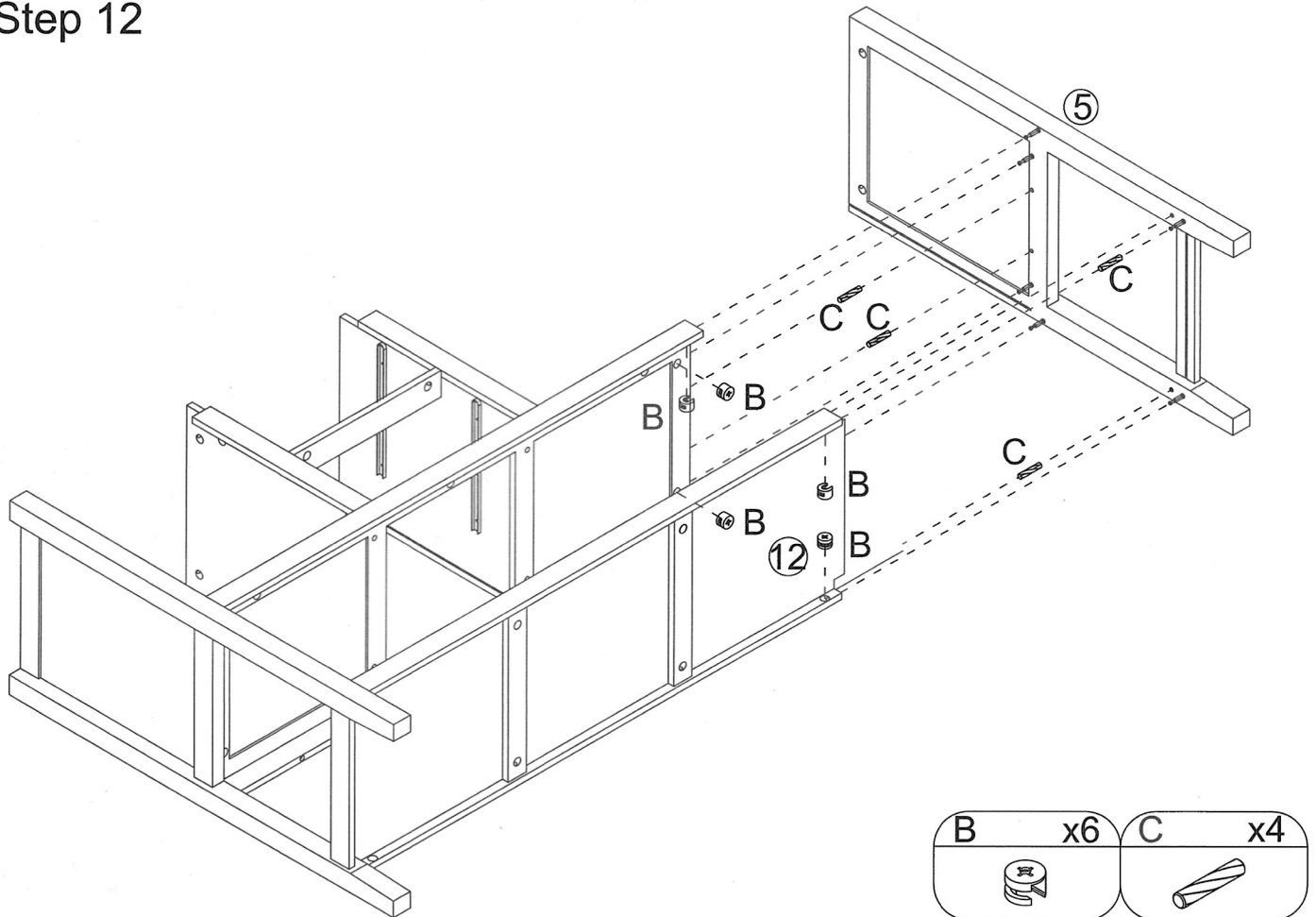




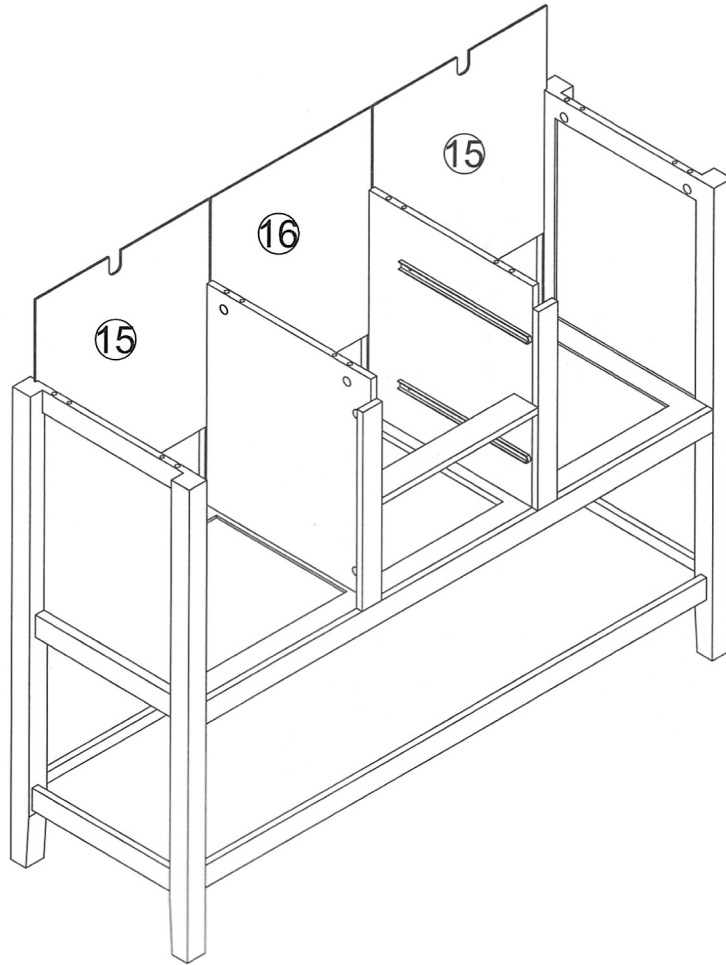
# Step 11



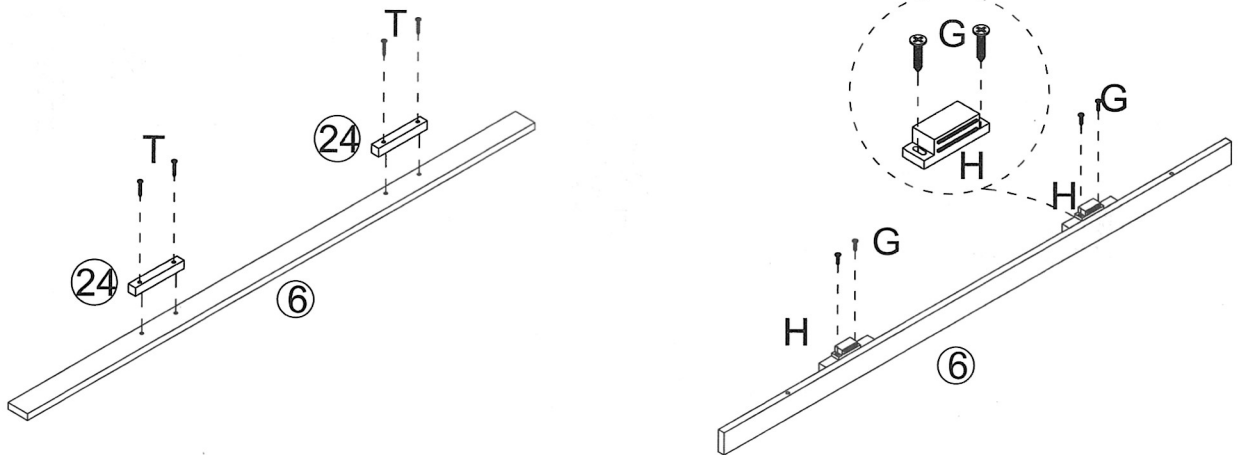
# Step 12


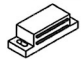



# Step 13

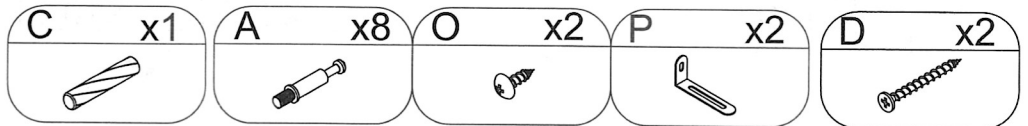
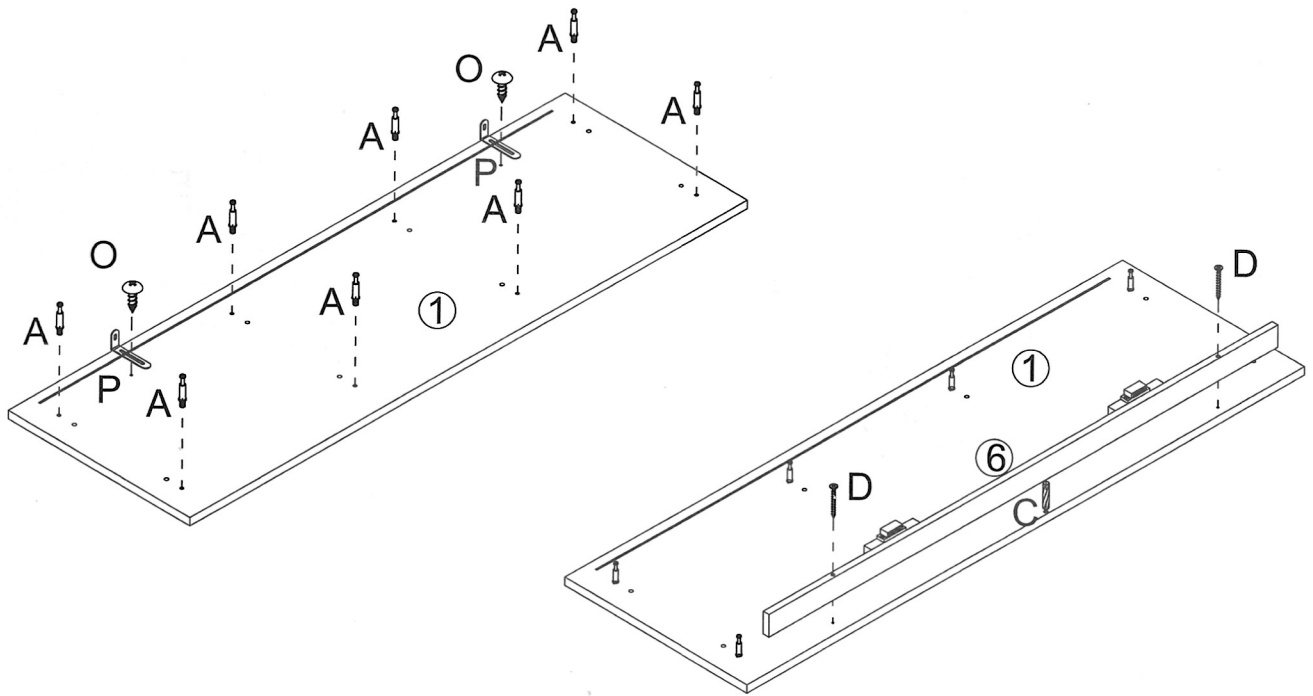


# Step 14

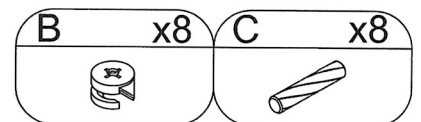
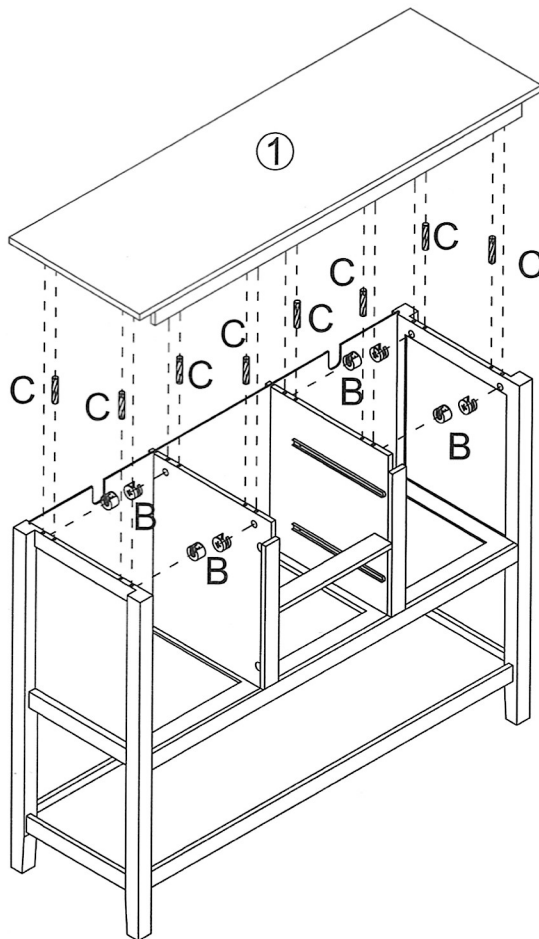


G	x4	H	x2	T	x4
					

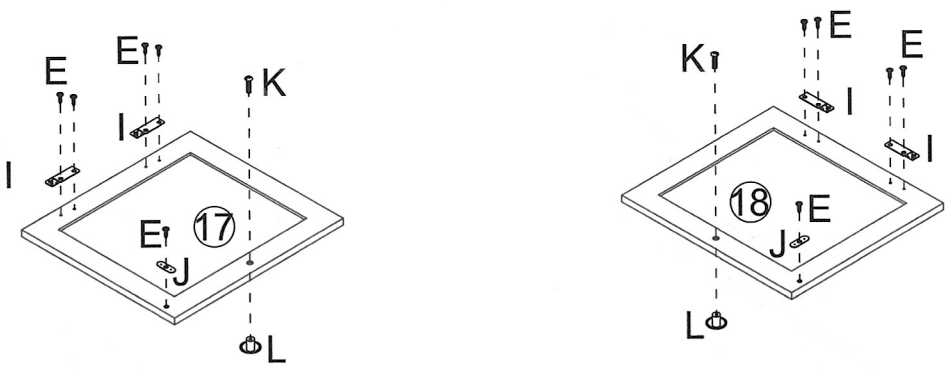
# Step 15



# Step 16

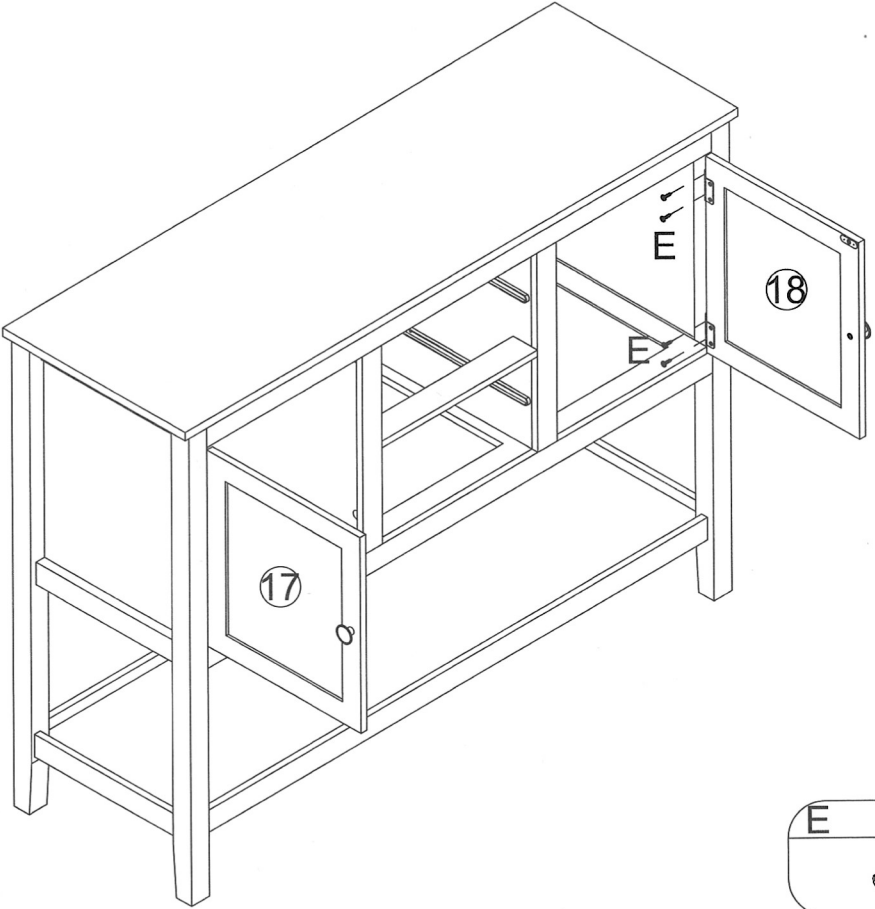


# Step 17



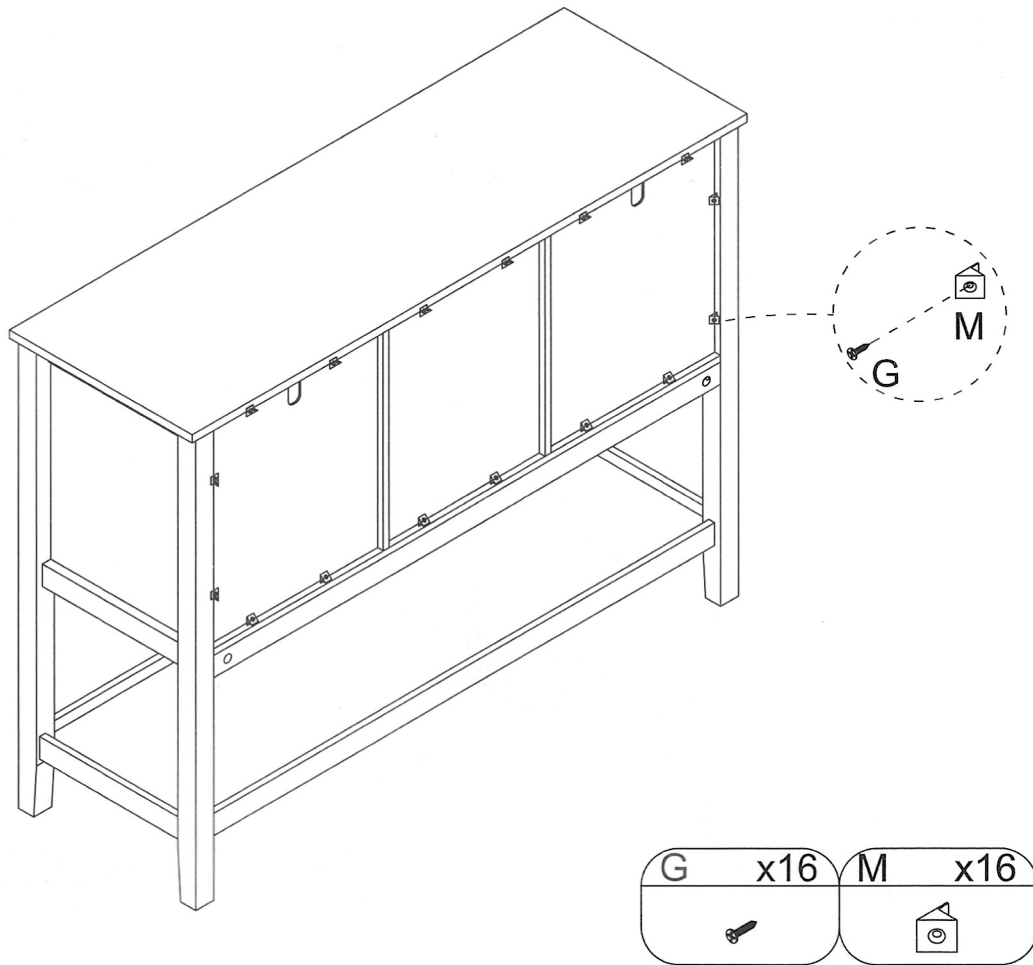
J	x2	K	x2	E	x10	I	x4	L	x2

# Step 18

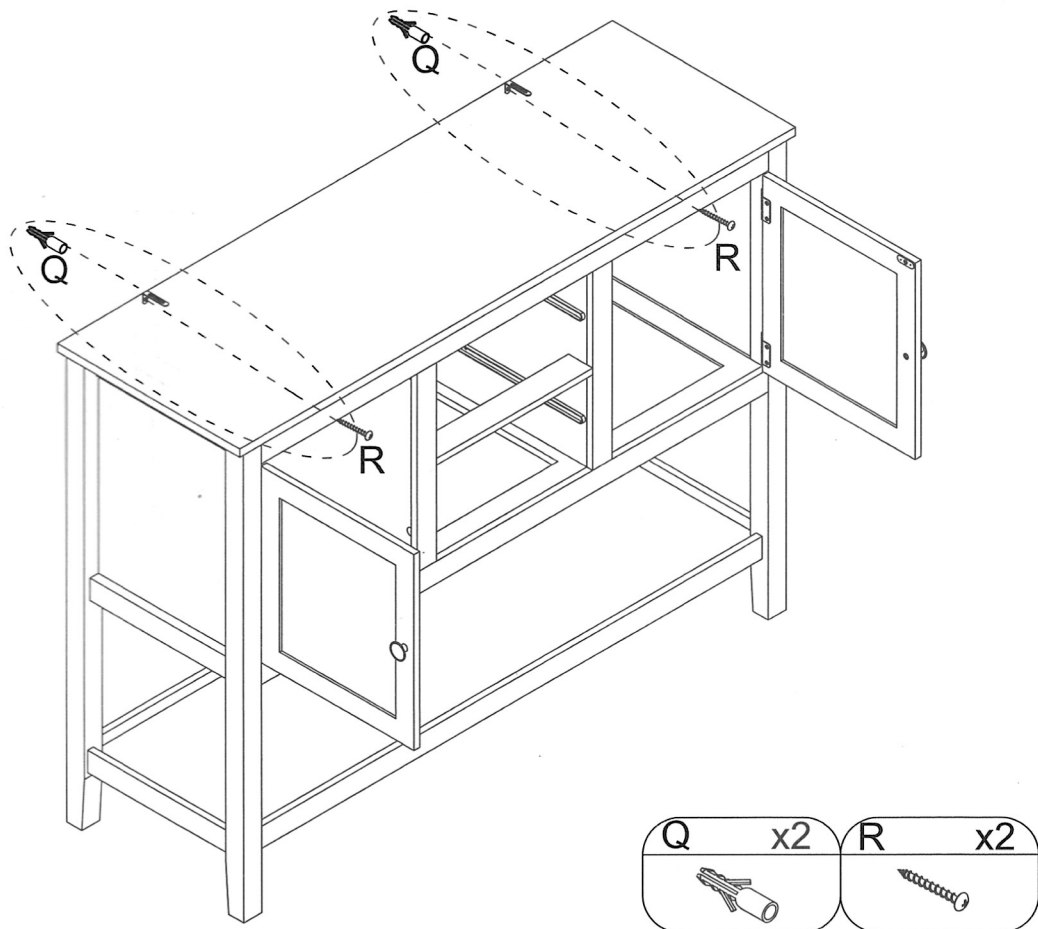


E	x8

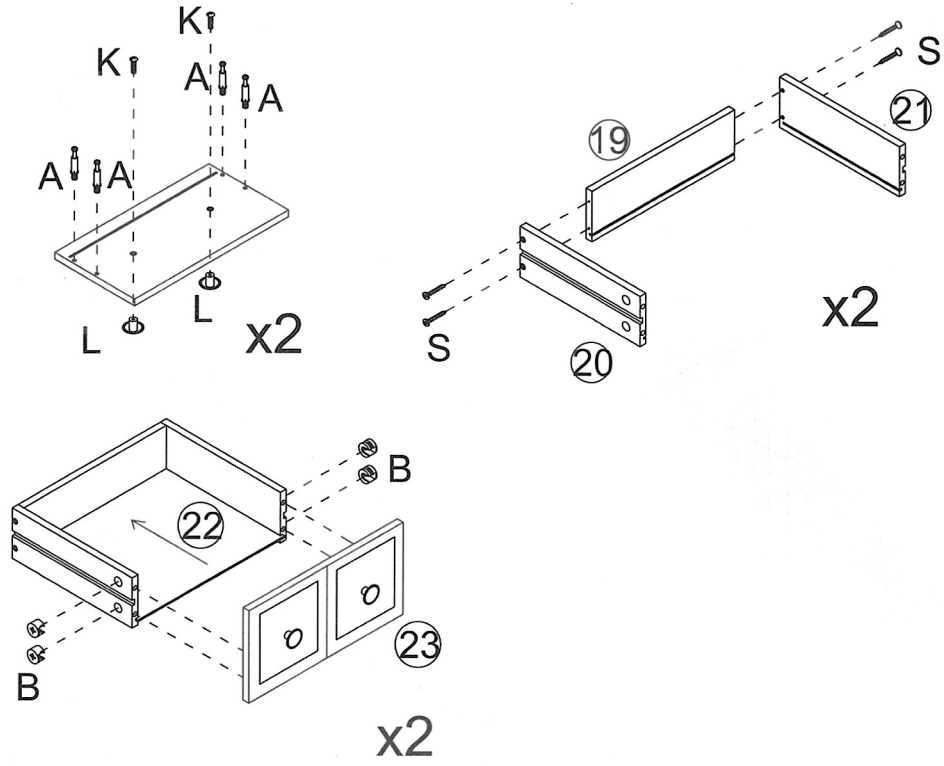
# Step 19








# Step 20

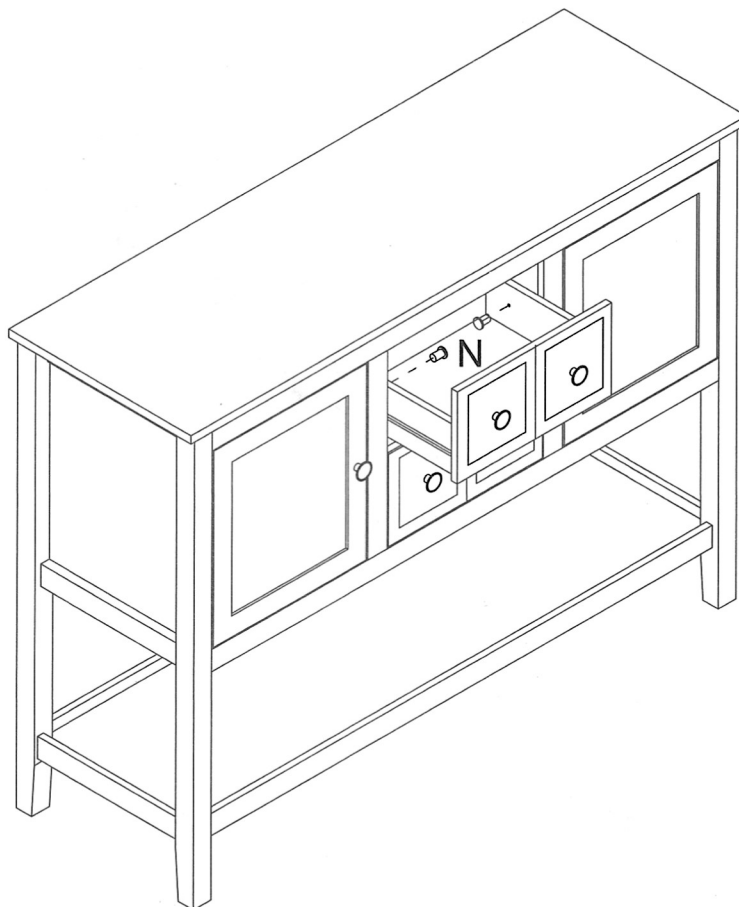


# Step 21



A	x8	B	x8	S	x8	L	x4	K	x4
									

# Step 22



N	x4
